



SOLBIAN SR+

POWERED BY **MERLIN SOLAR**



SOLBIAN SR+

POWERED BY **MERLIN SOLAR**

MERLIN® PATENTED DESIGN, SOLAR SOLUTIONS OPTIMIZED FOR THE TOUGHEST MARINE ENVIRONMENTS

MERLIN® MARINE TECHNOLOGY

SR+ is a technically significant advancement in efficiency and reliability for marine solar | Industry-leading power output | Designed and engineered in USA | Outstanding aesthetics | Robust module integrity and performance under extreme conditions | Military grade design, materials and approvals

SEMI-FLEX FEATURES

Highest output and most durable semi-flexible technology available | Semi-Flexible 3/16 thick panel | 90 degree bend over 9 inches | Direct install on fiberglass, canvas, bimini, T-top, etc | Fully designed and tested for marine environment | 2x Electroluminescence (EL) tested | ETFE topsheet UV protection | Tested to IEC and UL-1703 standards

HIT CELLS & MTAT GRID BENEFITS

Highest efficiency Panasonic Heterojunction Intrinsic Thin-layer (HIT) cells up to 24% | Highest output to area ratio | Superior power output during increased temperatures | Patented MERLIN® micro MTAT grid technology | Resistant to cell failure from flexing and thermal stresses | More rugged and reliable cell interconnected system vs traditional busbar



SR+116 (4X6)

CUSTOMER BENEFITS

5 Year Warranty | Lightweight | Rugged and Durable | Quick Install & Uninstall | Designed In USA

MERLIN® GRID PATENTED TECHNOLOGY: MTAT – RUGGED – LIGHTWEIGHT – MONO cSi



80% Lighter
than Glass Panels



50X More Durable
vs. Bus-Bar Technology



20% More Energy
In Real World Conditions



2.5X Power Density
vs. Thin Film Technology

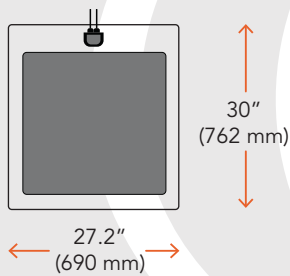
TECHNICAL SPECS

Electrical Characteristics (STC) ¹ MERLIN® PV Module Specs	Unit	SR+78	SR+116	SR+156	SR+175L	SR+175Q	SR+240
Rated Power	Watts	78	116	156	175	175	240
Weight	lbs	4.1	5.7	8.6	9.2	9.2	13
Cell Count		4x4	4x6	4x8	4x9	6x6	8x6
Number in Series		16	24	32	36	36	48
Voc	Vdc	11.7	17.5	23.5	26.3	26.3	35
Vmp	Vdc	9.6	14.4	19.2	21.6	21.6	28.8
Isc	Amps	8.6	8.6	8.6	8.6	8.6	8.6
Max I to 12V Battery	Amps	6.5	9.7	13	14.6	14.6	20
Est. Sunny Day Yield	Ah/Day	20-27	28-37	39-52	44-59	44-59	60-80

1. STC standard test conditions: 1000W/m2 intensity, Air Mass 1.5, 25°C cell temperature. Power tolerance is +/- 5% W at STC. The electrical characteristics are within +/- 10% unless otherwise specified.
2. Specifications are subject to change.

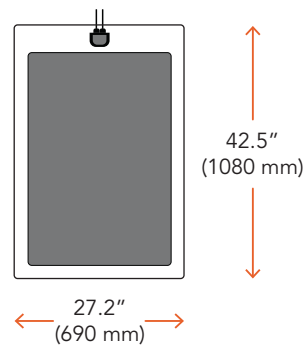
SR+78

Weight 4.1lbs



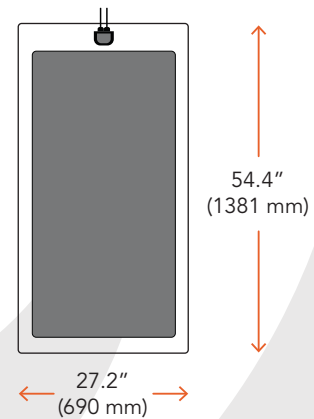
SR+116

Weight 5.7lbs



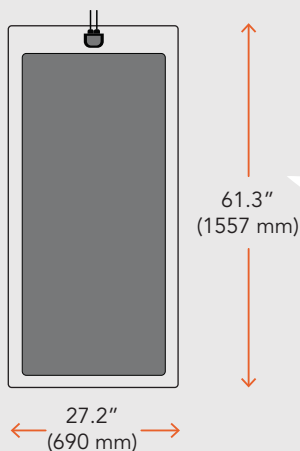
SR+156

Weight 8.6lbs



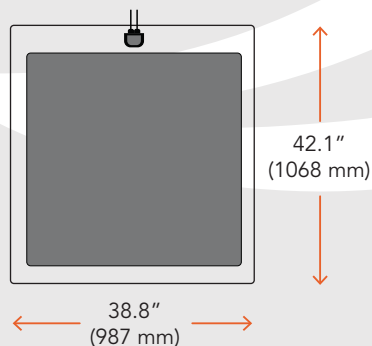
SR+175L

Weight 9.2lbs



SR+175Q

Weight 9.2lbs



SR+240

Weight 13lbs

