



M5000 BRACKET INSTALLATION GUIDE



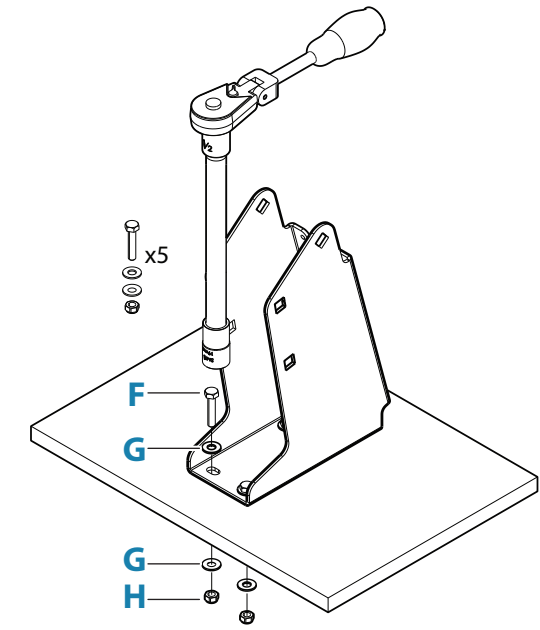
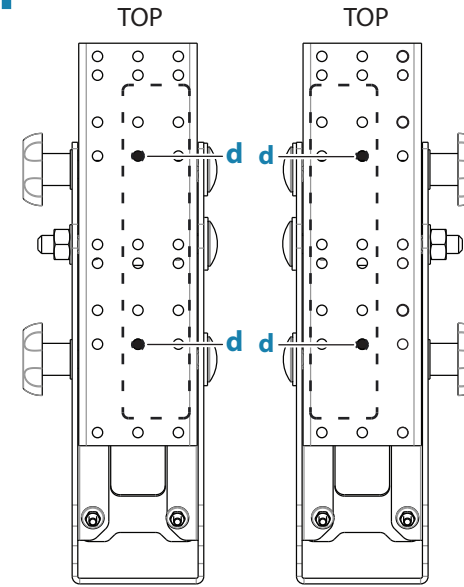
For product manuals, technical specifications, certificates and declarations refer to the product website:

www.simrad-yachting.com
www.bandg.com



NSO evo3 16" and Zeus³ Glass Helm 16"

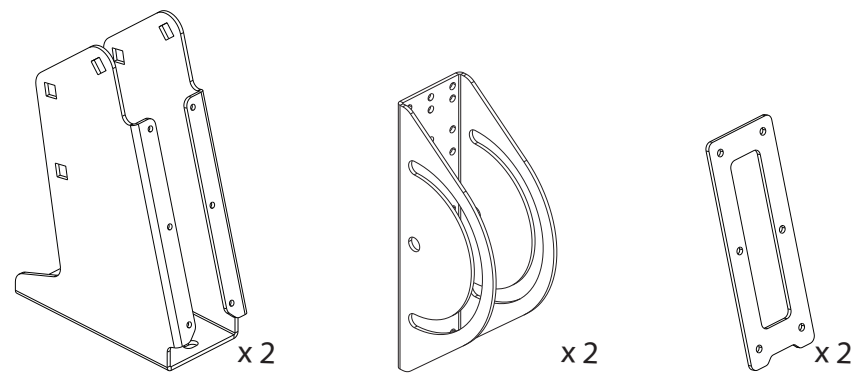
1



d NSO evo3 16", Zeus 3 Glass Helm 16"

Parts included

- A** M10x90 x 6
- B** M14 washer x 6
- C** M10 washer x 6
- D** Knob x 4
- E** M10 Nyloc 17 mm x 2
- F** M6x30 x 10
- G** M6 washer x 20
- H** M6 Nyloc 10 mm x 10
- I** M4x16 x 18
- J** M4 washer x 30
- K** M4 Nyloc 7 mm x 12
- L** M10x56 spacer x 4

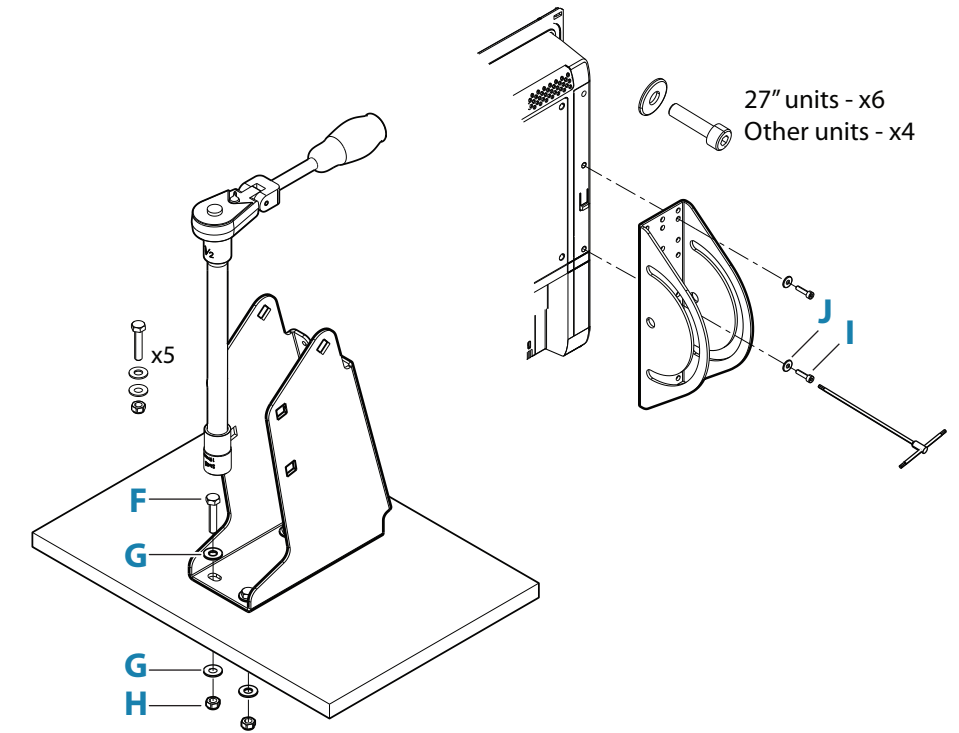
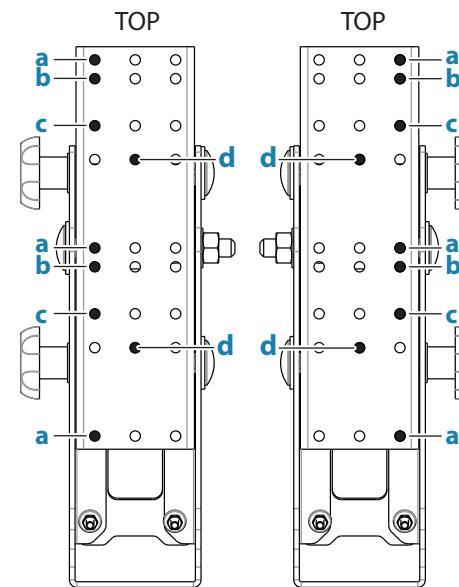


Qty	Type	Torque Nm
6	M4 x 16	3
10	M6 x 30	7
2	M10 NUT	15
4	Wheel knob	2

Note: Spacer kit for NSO evo3 16" and Zeus³ Glass Helm 16" is sold separately, PN: 000-14488-001.

Other units

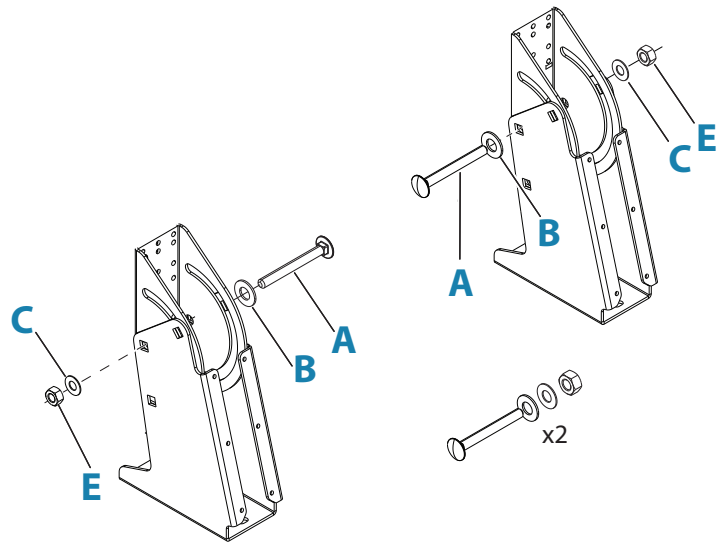
1



a	M5027
b	M5024, NSO evo3 24", Zeus 3 Glass Helm 24"
c	M5019, NSO evo3 19", Zeus 3 Glass Helm 19"
d	M5016

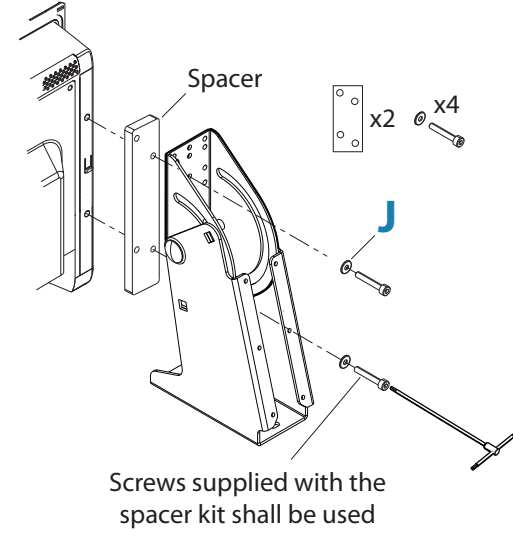
NSO evo3 16" and Zeus³ Glass Helm 16"

2

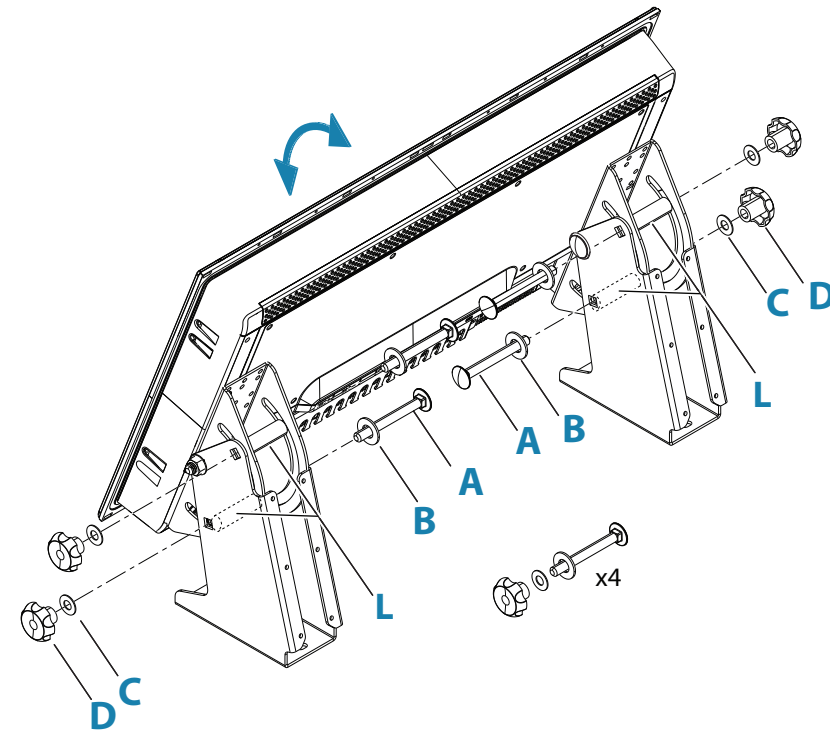


3

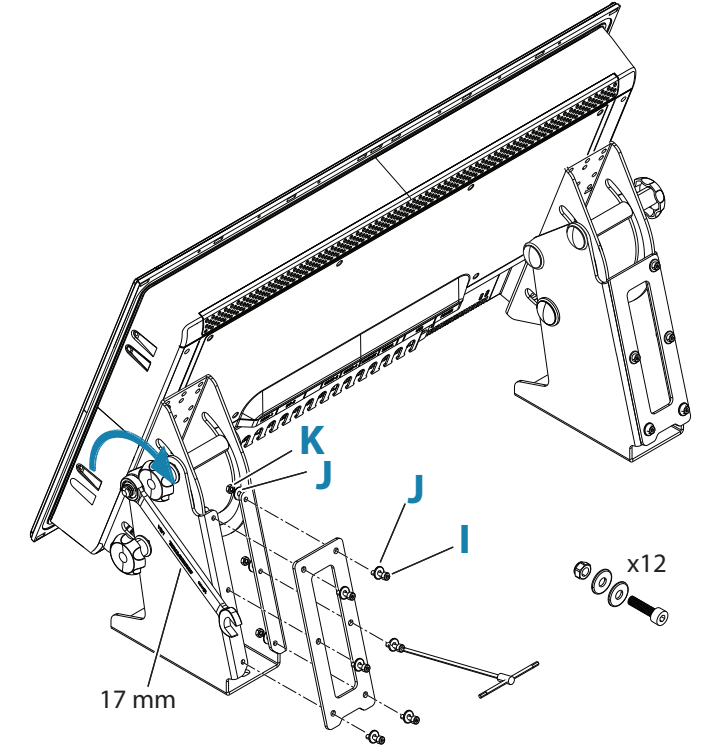
Spacer kit sold separately (PN: 000-14488-001).



4

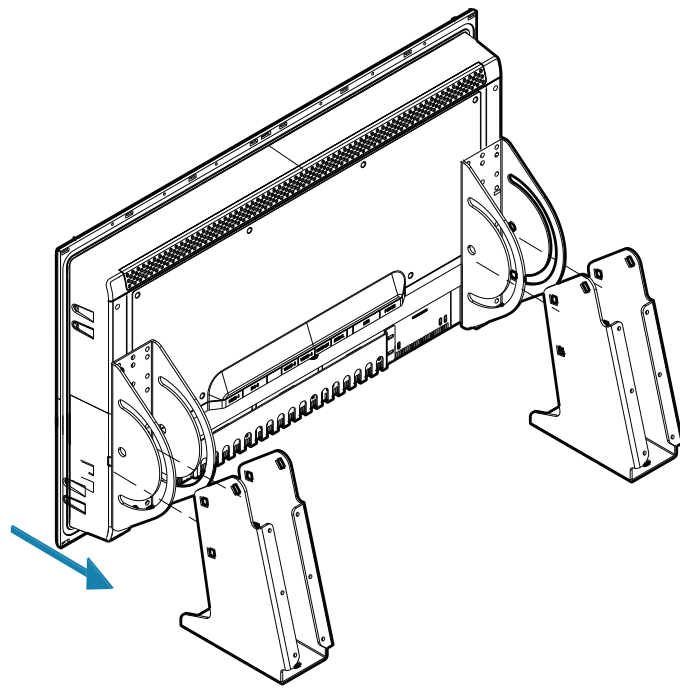


5

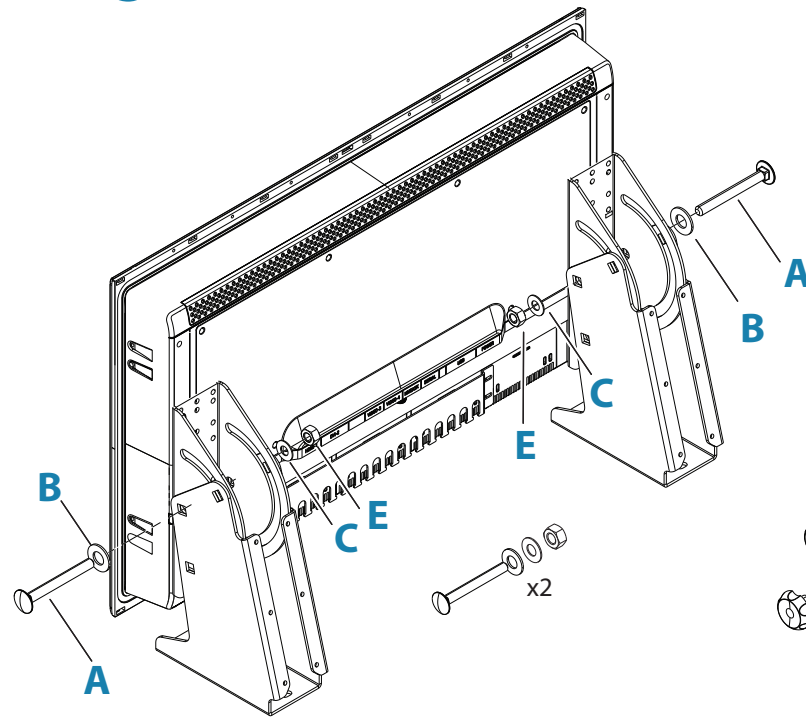


Other units

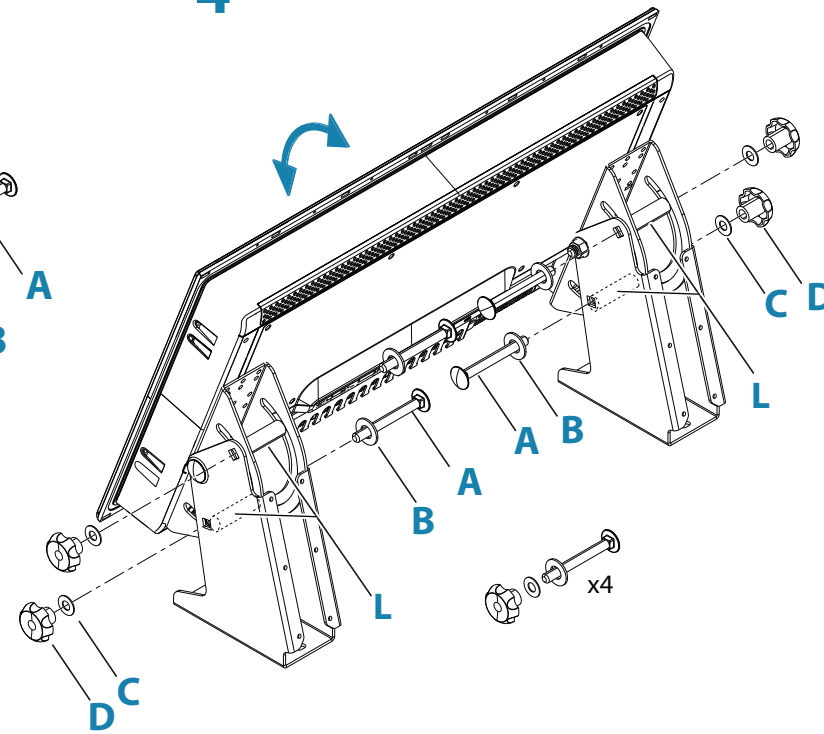
2



3



4



5

